

norpole

2 Solid Door Reach-In Refrigerator ♦ NP2R



Standard Features

- ♦ Stainless steel series 430 exterior
- ♦ Stainless steel series 304 interior
- ♦ Stucco aluminum back panel
- ♦ Self closing hinged doors with 90 degree stay open feature
- ♦ Bottom mounted compressor
- ♦ Optional 3-inch legs
- ♦ LED digital temperature display
- ♦ PVC coated adjustable wire shelves
- ♦ Interior lighting
- ♦ Self contained system, simple plug installation
- ♦ Heavy-duty castor wheels

Technical Specifications

| | |
|-----------------------------|----------------------------|
| Product Classification | Refrigerator |
| Climate Class | N |
| Number of Doors | 2 |
| External Cabinet Material | 430 Stainless Steel |
| Internal Cabinet Material | 304 Stainless Steel |
| Type of Refrigeration Agent | R-290 |
| Type of Temperature Control | Digital |
| Temperature Range °C | 0°C to 5°C |
| Temperature Range °F | 32°F to 41°F |
| Voltage / Frequency | 115V / 60Hz |
| Amp | 3.8 |
| Compressor HP | 1/4+ |
| Type of Insulation | 2.5-Inch Polyurethane Foam |
| Door Handle | Full Length |

Certified Safety Standard

- ♦ ETL Listed
- ♦ ETL Sanitation Listed

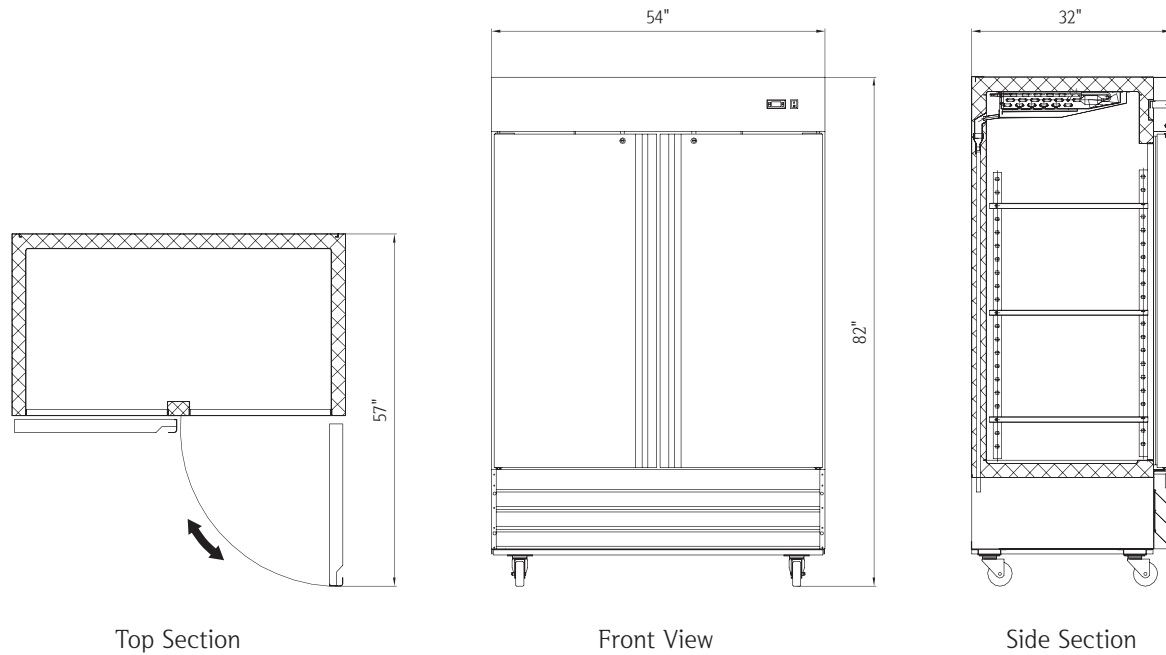


Warranty Information

- ♦ 5 Years Compressor
- ♦ 3 Year Parts & Labor



2 Solid Door Reach-In Refrigerator ♦ NP2R



Plug Type: (NEMA) 5-15P

Capacity

Capacity 48 cu. ft.

Dimensions

| | |
|---------------------------------|-----------------|
| Internal Cabinet Width | 49 in |
| Internal Cabinet Depth | 27 in |
| Internal Cabinet Height | 60 in |
| External Width | 54 in |
| External Depth | 32 in |
| External Height | 82 in |
| Shipping Dimensions (W x D x H) | 57 x 34 x 84 in |

Weight

Gross Weight 513 lbs.

Accessories

| | |
|-------------------------|----------|
| Frost Free | Yes |
| Adjustable Shelves | 6 |
| Fixed Shelves | No |
| Internal Light | Yes |
| Internal Light Switch | No |
| External Light Switch | No |
| Self Closing Door/Lid | Yes |
| Door Holder for Loading | Yes |
| Door/Lid Lock | Yes |
| Reversible (Left) Door | Yes |
| Adjustable Feet | Optional |
| Adjustable Thermostat | Yes |