

norpole

2 Door Sandwich/Salad Prep Table ♦ NP2R-SW



Standard Features

- ♦ Stainless steel series 430 exterior
- ♦ Stainless steel series 304 interior
- ♦ Stucco aluminum back panel
- ♦ Self closing hinged doors with 90 degree stay open feature
- ♦ Bottom mounted compressor
- ♦ Optional 3-inch legs
- ♦ LED digital temperature display
- ♦ PVC coated adjustable wire shelves
- ♦ Compartment barrier prevents food spillage down to storage area
- ♦ Lift off compartment door hinges for easy cleaning
- ♦ Pans and cutting boards are included
- ♦ 3/4" thick cutting board included
- ♦ Self contained system, simple installation
- ♦ Heavy-duty caster wheels

Technical Specifications

| | |
|-----------------------------|----------------------------|
| Product Classification | Refrigerator |
| Climate Class | N |
| Number of Doors / Lids | 2 Doors / 1 Lid |
| External Cabinet Material | 430 Stainless Steel |
| Internal Cabinet Material | 304 Stainless Steel |
| Type of Refrigeration Agent | R-290 |
| Type of Temperature Control | Digital |
| Temperature Range °C | 0°C to 5°C |
| Temperature Range °F | 32°F to 41°F |
| Voltage / Frequency | 115V / 60Hz |
| Amp | 6.0 |
| Compressor HP | 1/4+ |
| Type of Insulation | 2.5-Inch Polyurethane Foam |
| Door Handle | Full Length |

Certified Safety Standard

- ♦ ETL Listed
- ♦ ETL Sanitation Listed



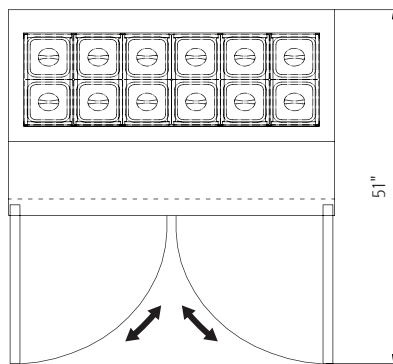
Warranty Information

- ♦ 5 Years Compressor
- ♦ 3 Year Parts & Labor

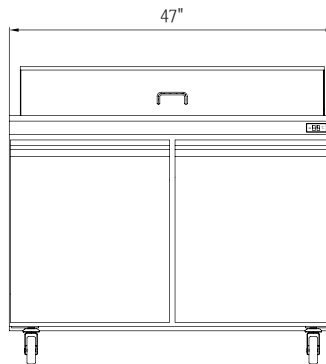


norpole

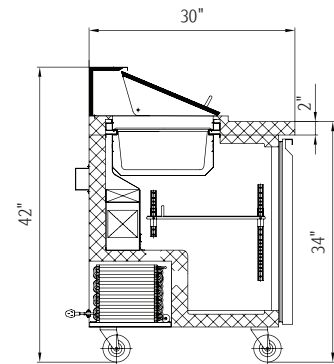
2 Door Sandwich/Salad Prep Table ♦ NP2R-SW



Top View



Front View



Side Section



Plug Type: (NEMA) 5-15P

Capacity

Gross Capacity 9.5 cu. ft.

Dimensions

| | |
|---------------------------------|-----------------|
| Internal Cabinet Width | 43 in |
| Internal Cabinet Depth | 24 in |
| Internal Cabinet Height | 24 in |
| External Width | 47 in |
| External Depth | 30 in |
| External Height | 42 in |
| Shipping Dimensions (W x D x H) | 52 x 35 x 46 in |

Weight

Gross Weight 354 lbs.

Accessories

| | |
|-------------------------|-----------|
| Frost Free | Yes |
| Adjustable Shelves | 2 |
| Fixed Shelves | No |
| Internal Light | No |
| Internal Light Switch | No |
| External Light Switch | No |
| Self Closing Door / Lid | Yes |
| Door Holder for Loading | Yes |
| Door / Lid Lock | No |
| Reversible (Left) Door | No |
| Adjustable Feet | Optional |
| Adjustable Thermostat | Yes |
| Pans | (12) 1/6" |