

norpole

1 Door Under Counter Refrigerator ♦ NP1R-27UC



Standard Features

- ♦ Stainless steel interior and exterior
- ♦ Rounded corner design for easy cleanup
- ♦ Self closing hinged doors with 90 degree stay open feature
- ♦ Programmable electronic control system
- ♦ Adjustable, heavy duty PVC coated shelves
- ♦ Heavy-duty castor wheels

Technical Specifications

| | |
|-----------------------------|----------------------------|
| Product Classification | Refrigerator |
| Climate Class | N |
| Number of Doors | 1 |
| External Cabinet Material | 430 Stainless Steel |
| Internal Cabinet Material | 304 Stainless Steel |
| Type of Refrigeration Agent | R-290 |
| Type of Temperature Control | Digital |
| Temperature Range °C | 0°C to 5°C |
| Temperature Range °F | 32°F to 41°F |
| Voltage / Frequency | 115V / 60Hz |
| Amp | 1.9 |
| Compressor HP | 1/5 |
| Type of Insulation | 2.5-Inch Polyurethane Foam |
| Door Handle | Full Length |

Certified Safety Standard

- ♦ ETL Listed
- ♦ ETL Sanitation Listed



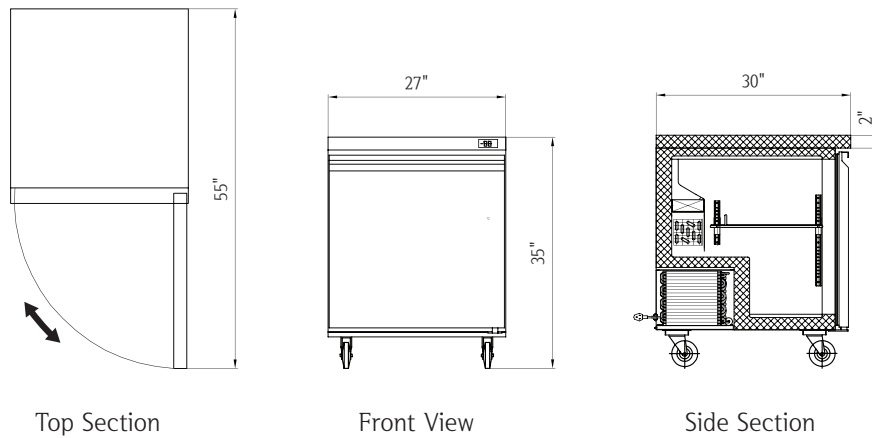
Warranty Information

- ♦ 5 Years Compressor
- ♦ 3 Year Parts & Labor





1 Door Under Counter Refrigerator ♦ NP1R-27UC



Plug Type: (NEMA) 5-15P

Capacity

Capacity 6 cu. ft.

Dimensions

| | |
|---------------------------------|-----------------|
| Internal Cabinet Width | 22 in |
| Internal Cabinet Depth | 23 in |
| Internal Cabinet Height | 24 in |
| External Width | 27 in |
| External Depth | 30 in |
| External Height | 35 in |
| Shipping Dimensions (W x D x H) | 30 x 32 x 39 in |

Weight

Gross Weight 202 lbs.

Accessories

| | |
|-------------------------|----------|
| Frost Free | Yes |
| Adjustable Shelves | 1 |
| Fixed Shelves | No |
| Internal Light | No |
| Internal Light Switch | No |
| External Light Switch | No |
| Self Closing Door / Lid | Yes |
| Door Holder for Loading | Yes |
| Door / Lid Lock | No |
| Reversable (Left) Door | Yes |
| Adjustable Feet | Optional |
| Adjustable Thermostat | Yes |